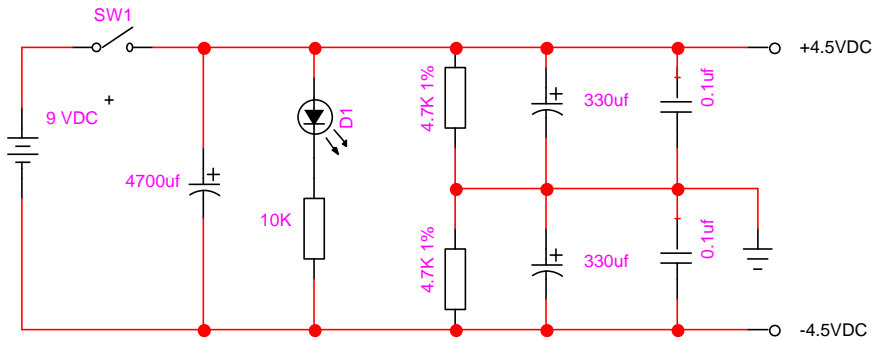
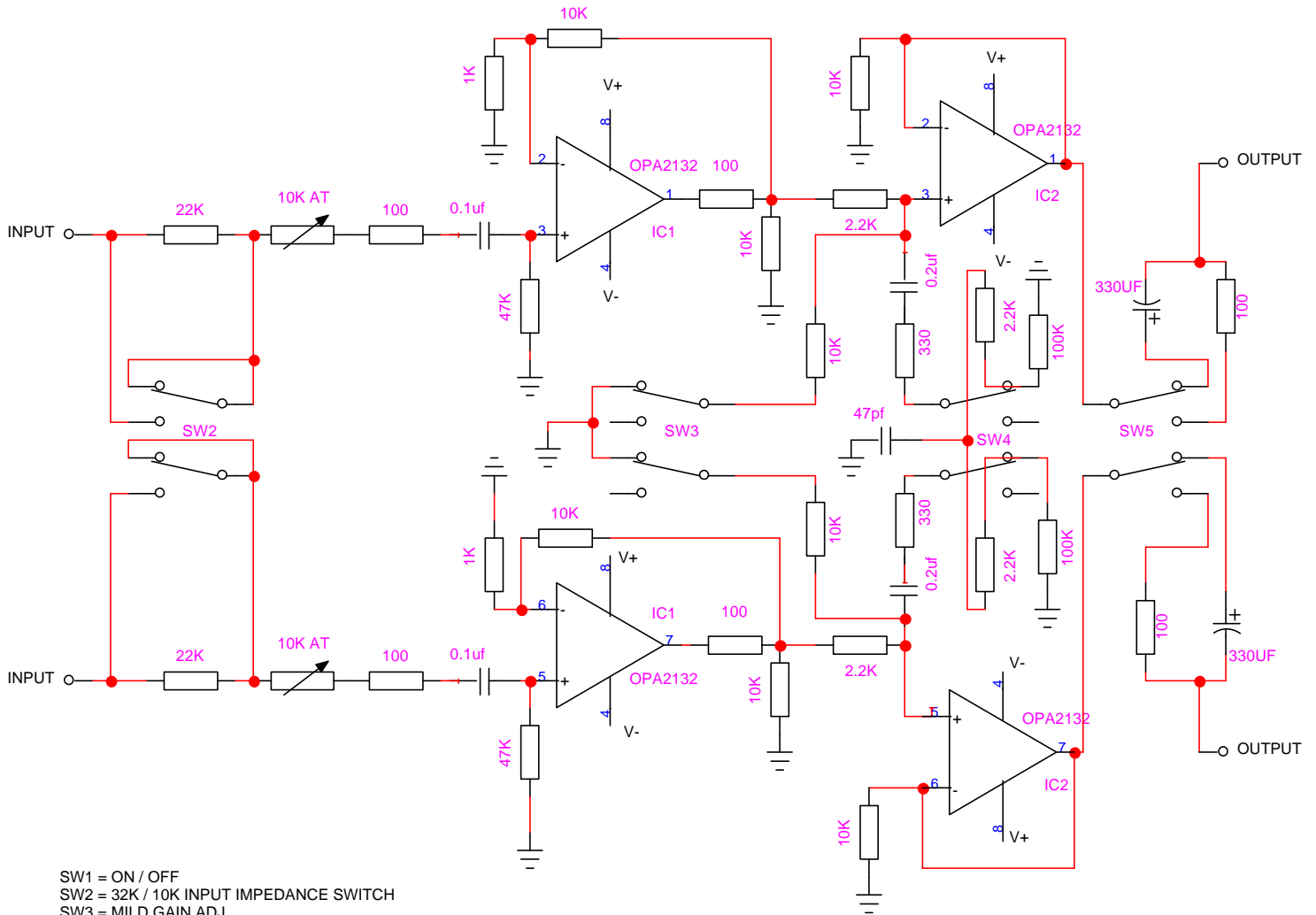


DECDWARE ZEN HEAD model ZH-1 - Personal Headphone Amplifier - Rev 6 - April 2009



D1= Low current LED



- SW1 = ON / OFF
- SW2 = 32K / 10K INPUT IMPEDANCE SWITCH
- SW3 = MILD GAIN ADJ
- SW4 = CROSSFEED - ON / OFF
- SW5 = OUTPUT IMPEDANCE - HiZ - LoZ