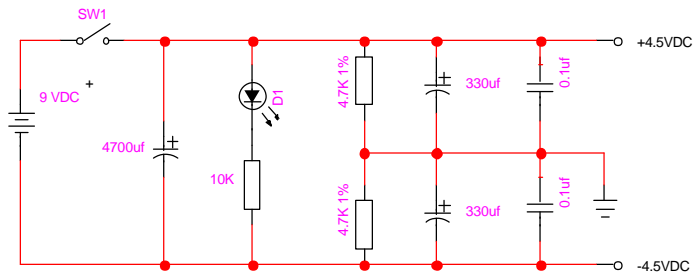
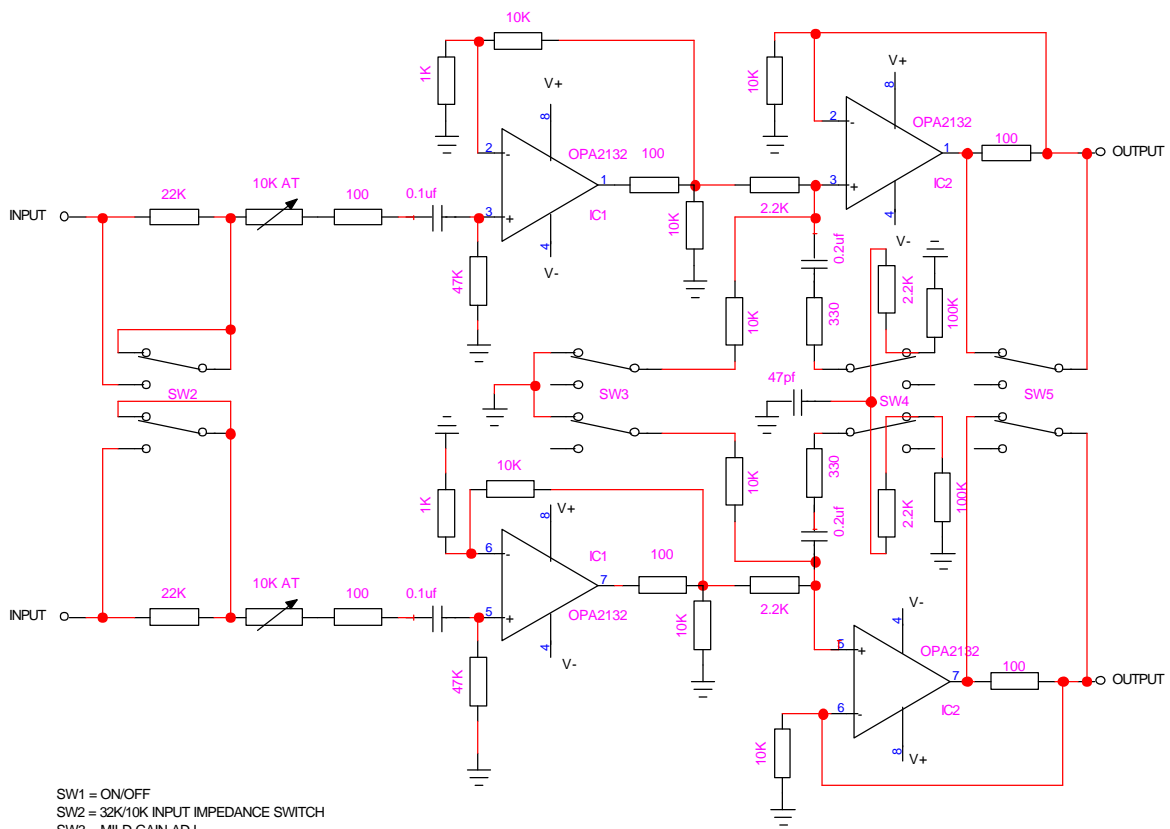


DECUWARE ZEN HEAD model ZH-1 - Personal Headphone Amplifier - Rev 5 - Nov 2008



D1= Low current LED



SW1 = ON/OFF
 SW2 = 32K/10K INPUT IMPEDANCE SWITCH
 SW3 = MILD GAIN ADJ
 SW4 = CROSSFEED ON/OFF
 SW5 = HEADPHONE COMPATIBILITY SWITCH