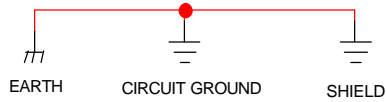
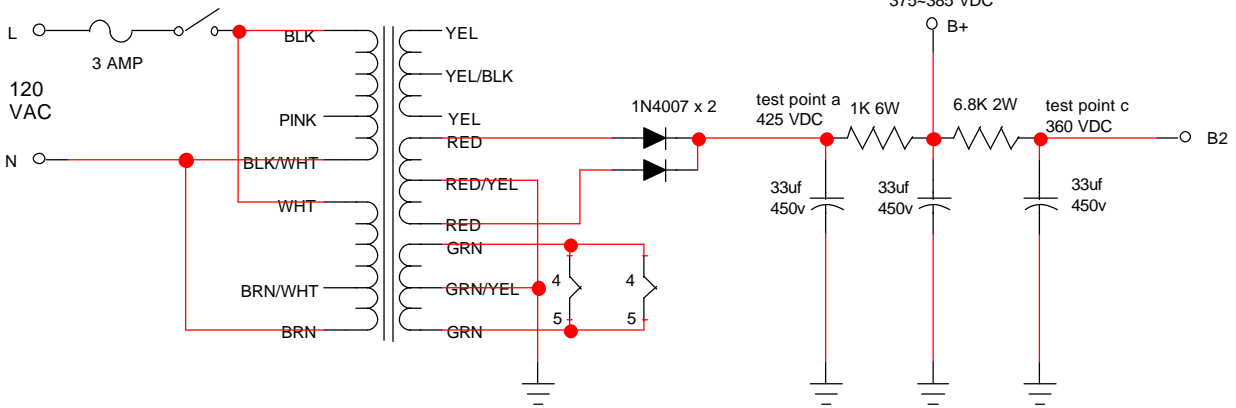


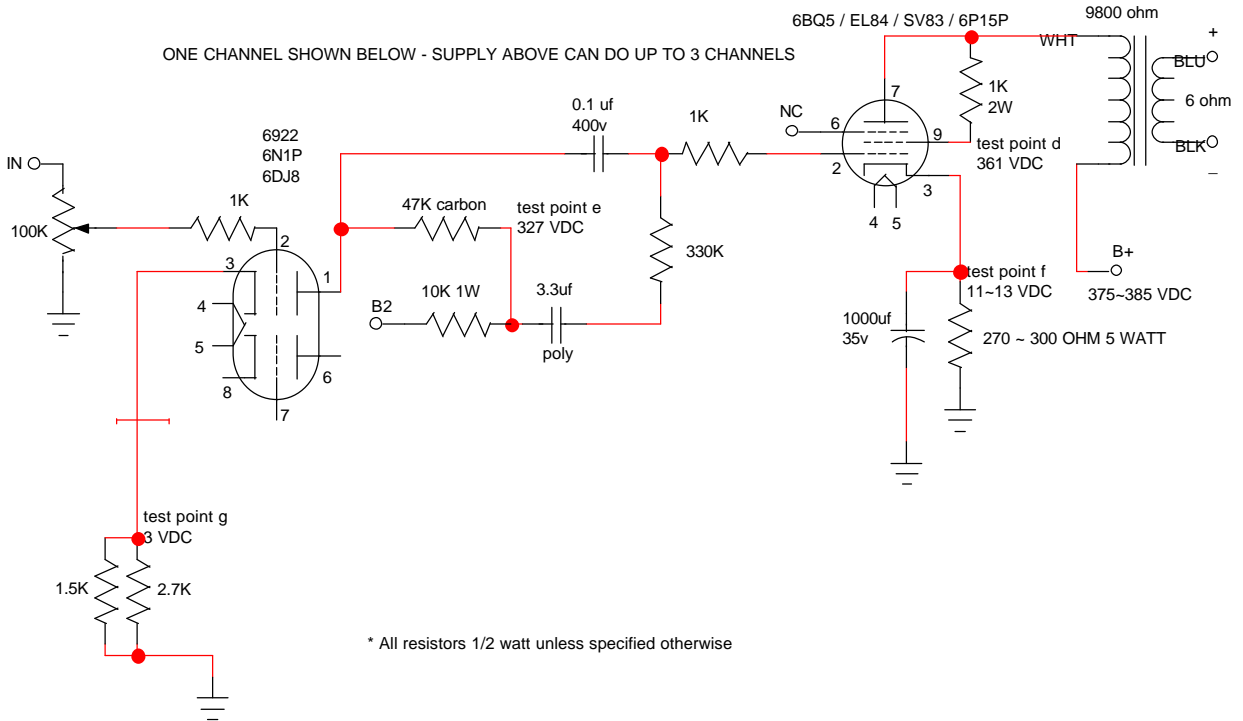
SCHEMATIC for model SE84CDIYMONO (C) 2008 by DECWARE



DECWARE 300-0-300 / 150ma 6.3 VCT 5A



ONE CHANNEL SHOWN BELOW - SUPPLY ABOVE CAN DO UP TO 3 CHANNELS



* All resistors 1/2 watt unless specified otherwise