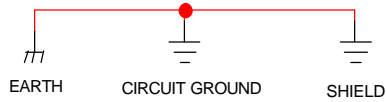
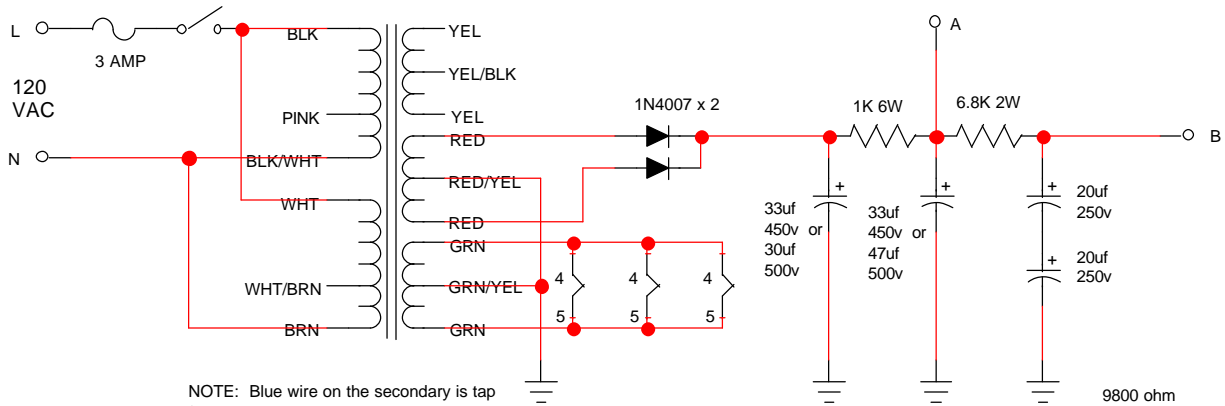


SCHEMATIC for model SE84DIY (C) 2008 by DECWARE



DECWARE 300-0-300 / 150ma 6.3 VCT 5A



NOTE: Blue wire on the secondary is tap for a bias supply and is not used in this circuit.

